

# HOPPER SCREEN QUOTE/ORDER FORM

(For Project-In Hopper Windows)

Extruded Aluminum

**FRAME SIZE:** (✓ Check One of the Diagrams to the right)

**FRAME COLOR:** (✓ Check One)  Bronze  White  Mill

Black Painted  Clear Anodized  Bronze Anodized

**SCREEN MESH:** (✓ Check One)

Charcoal Aluminum  Brite Aluminum  Stainless Steel

Charcoal Fiberglass  Gray Fiberglass  Bronze

**HARDWARE:** Pivot Pins, Plungers, and 4 Hanger Keepers Provided

1/2" X 1" X .062

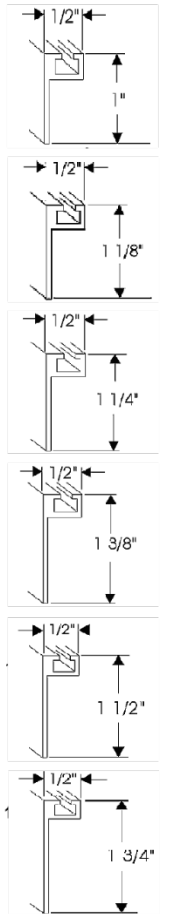
1/2" X 1 1/8" X .062

1/2" X 1 1/4" X .062

1/2" X 1 3/8" X .062

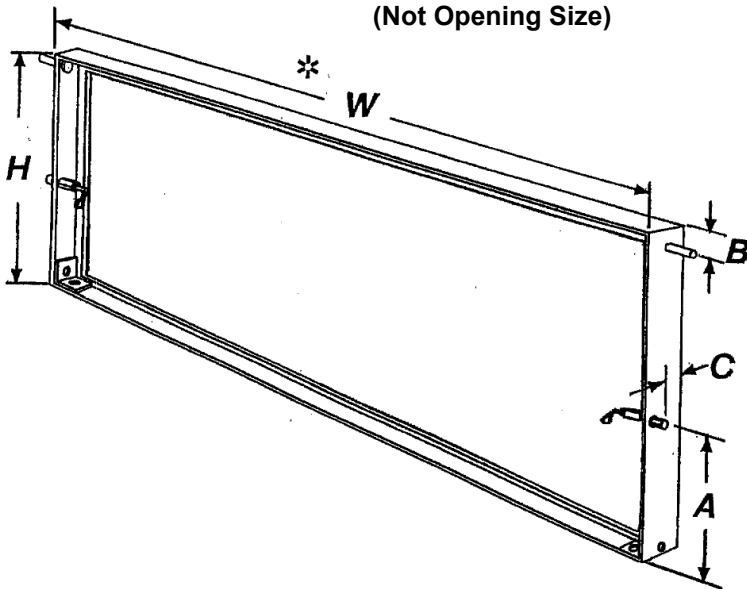
1/2" X 1 1/2" X .062

1/2" X 1 3/4" X .062



Quantity Required: \_\_\_\_\_ W: \_\_\_\_\_ H: \_\_\_\_\_

\* INDICATE ACTUAL SCREEN FRAME SIZE AS INDICATED BY ARROWS  
(Not Opening Size)



**A =** Bottom edge of screen to center of hardware

**B =** top edge of screen to center of hardware

**C =** distance from edge of screen to center of hardware (spline side)

Customer Name: \_\_\_\_\_

Customer No.: \_\_\_\_\_

Address: \_\_\_\_\_

Phone Number: \_\_\_\_\_

City: \_\_\_\_\_ State: \_\_\_\_\_

Zip Code: \_\_\_\_\_

**Blaine Distribution LLC**  
17319 Blaine Drive  
Hagerstown, MD 21740  
P: 240-329-5240  
F: 301-791-6982

All screens are custom manufactured to your specifications. Please verify the screen frame dimensions and placement of all hardware. There are no credits, exchanges, or returns allowed.

Approved by: \_\_\_\_\_ Date: \_\_\_\_\_

Email: [Products@BlaineDistribution.com](mailto:Products@BlaineDistribution.com) Website: [BlaineDistribution.com](http://BlaineDistribution.com)

Rev. 2/5/20