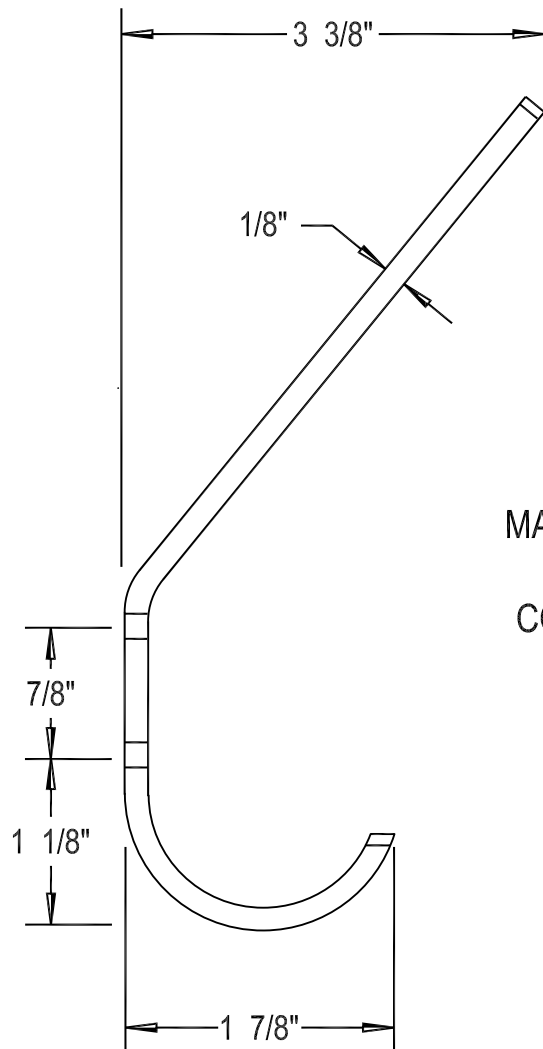


EMCO SPECIALTY PRODUCTS, INC

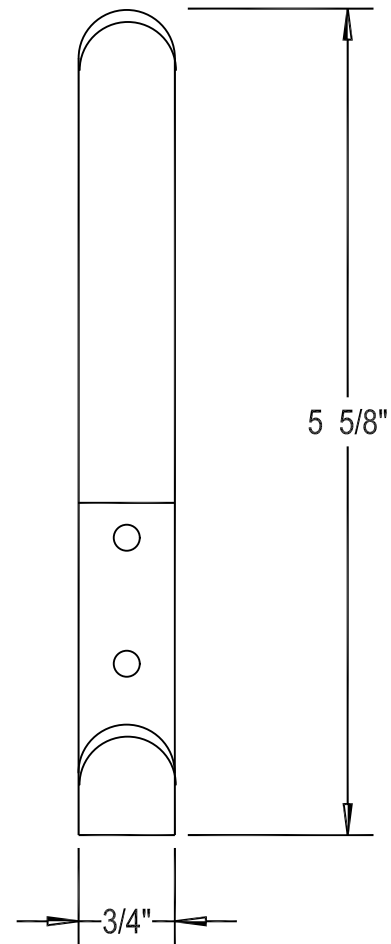
408 MIAMI AVE. KANSAS CITY, KS 66105 913-281-4555/FAX 913-281-4554

S10 HOOK



MATERIAL: STEEL

COLOR: BLACK



FRONT VIEW