

EMCO SPECIALTY PRODUCTS, INC.  
 408 MIAMI AVE.  
 KANSAS CITY, KS 66105  
 913-281-4555 / FAX. 913-281-4554

# H1 HANGER SHELF

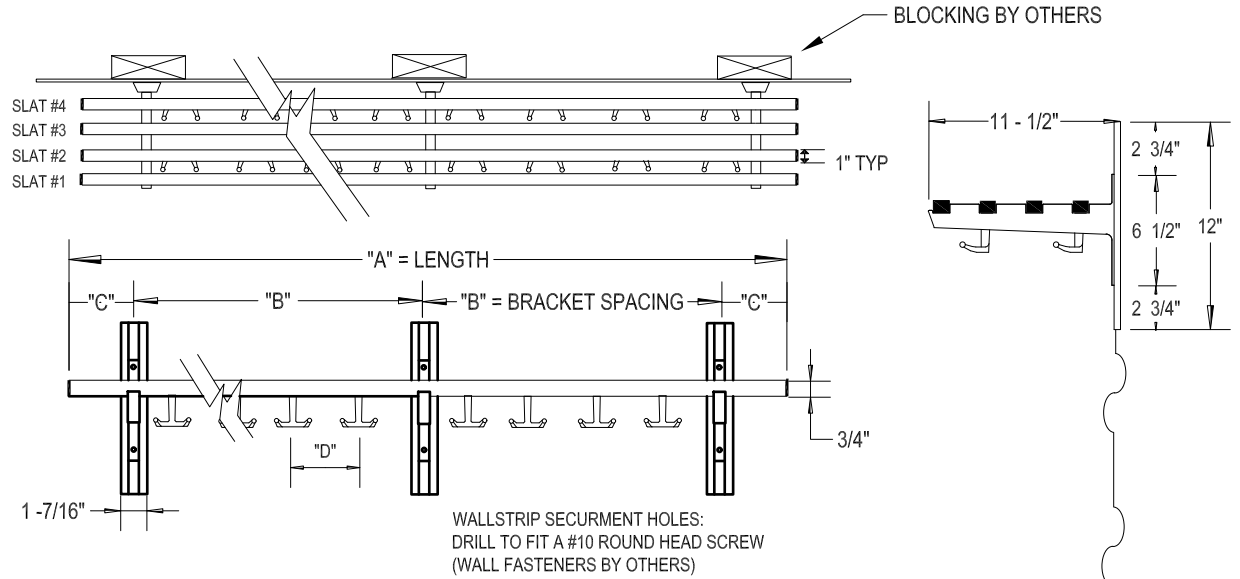
BRACKET:  
 DIECAST ALUMINUM, POWDER COATED BLACK

WALLSTRIP:  
 EXTRUDED ALUMINUM, POWDER COATED BLACK  
 WITH PLASTIC END CLOSURES.

HOOK:  
 MOLDED DOUBLE-PRONGED LEXAN POLYCARBONATE.

SLAT TYPE:  
 A. SILVER ANODIZED ALUMINUM WITH PLASTIC END  
 CLOSURES.  
 B. BRONZE ACRYLIC COATED ALUMINUM WITH PLASTIC END  
 CLOSURES.

- HOOK  
 (Specify Color)
- \_\_\_ DARK BROWN
  - \_\_\_ RED
  - \_\_\_ YELLOW
  - \_\_\_ ORANGE
  - \_\_\_ GREEN
  - \_\_\_ BLUE
  - \_\_\_ GRAY
  - \_\_\_ BLACK
  - \_\_\_ PURPLE
  - \_\_\_ ASSORTED



NOTE: A & B ALUMINUM SLAT THAT EXCEED 12'-0" WILL BE SENT IN SECTIONS

PLEASE SPECIFY

SUGGESTED HEIGHT TO FIN. FLR.  
 42" THRU 5th GRADE, - 60", 6th THRU ADULT

ITEM	QUAN.	LOCATION	LENGTH "A"	BRACKETS		OVERHANG "C"	HOOKS		SLAT TYPE	ADD'L DRWG #	SPLICE
				NO.	"B"		NO.	"D"			
A											
B											
C											
D											
E											
F											

PROJECT: \_\_\_\_\_  
 LOCATION: \_\_\_\_\_  
 DISTRIBUTOR: \_\_\_\_\_  
 DRAWING NO: \_\_\_\_\_ DATE: \_\_\_\_\_  
 SHEET \_\_\_\_\_ OF \_\_\_\_\_ REVISIONS: \_\_\_\_\_