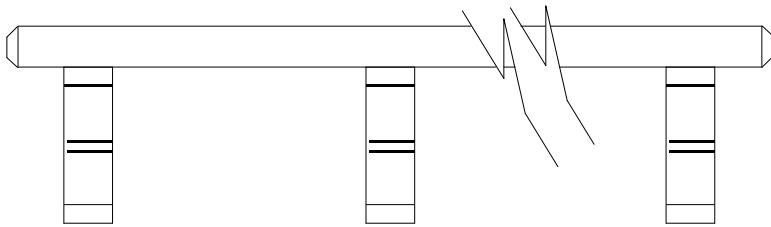
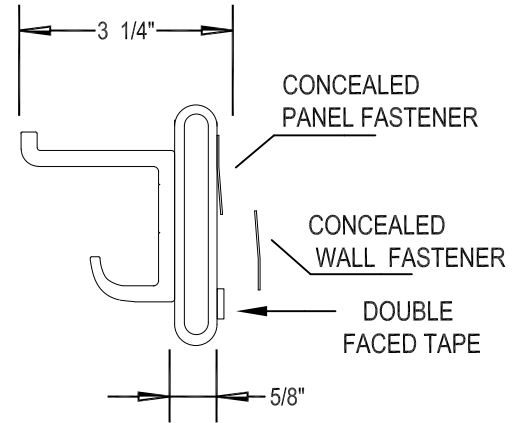
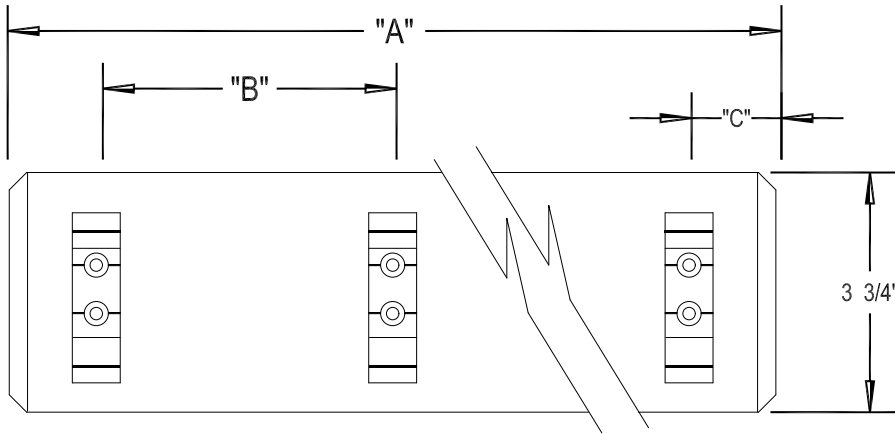


# EMCO SPECIALTY PRODUCTS, INC.

408 MIAMI AVE. KANSAS CITY, KS 66105 - 913-281-4555 / FAX. 913-281-4554

## D10 HOOK PANEL



WALL FASTENERS BY OTHERS

### SOLID WOOD PANEL FINISHES:

- A. LIGHT OAK
- B. MEDIUM OAK
- C. WALNUT
- D. MAPLE
- E. UNFINISHED OAK

### HOOKS : SOLID ALUMINUM

- A. SILVER
- B. BLACK
- C. ALMOND
- D. BROWN
- E. ANTIQUE BRASS

QUAN.	LOCATION	LENGTH "A"	HOOKS		OVERHANG "C"	PANEL FINISH	HOOK COLOR
			NO.	"B"			

PROJECT: \_\_\_\_\_

LOCATION: \_\_\_\_\_

DISTRIBUTOR: \_\_\_\_\_

DRAWING NO: \_\_\_\_\_ DATE: \_\_\_\_\_

SHEET \_\_\_\_\_ OF \_\_\_\_\_ REVISIONS: \_\_\_\_\_