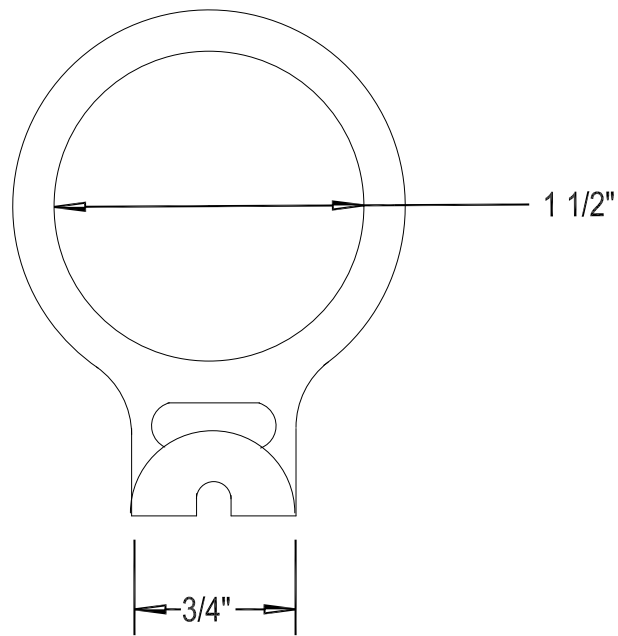


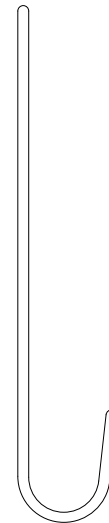
EMCO SPECIALTY PRODUCTS, INC

408 MIAMI AVE. KANSAS CITY, KS 66105 913-281-4555/FAX 913-281-4554

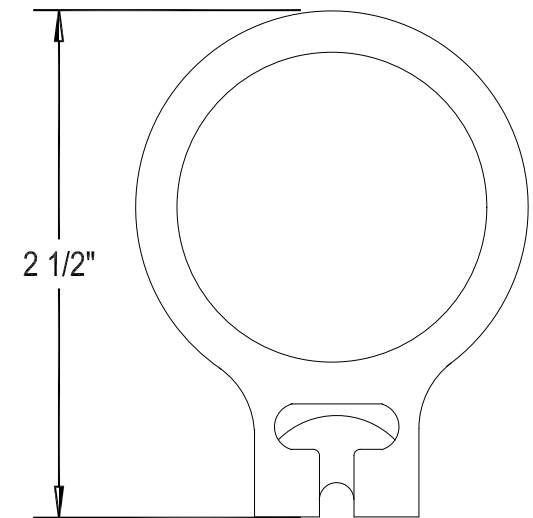
"C" RECEPTACLE



SIDE VIEW



FRONT VIEW



SIDE VIEW

NOTES: MATERIAL: NICKEL-PLATED STEEL
WILL ACCOMMODATE BOTH "BALL" AND "T" TOP HANGERS