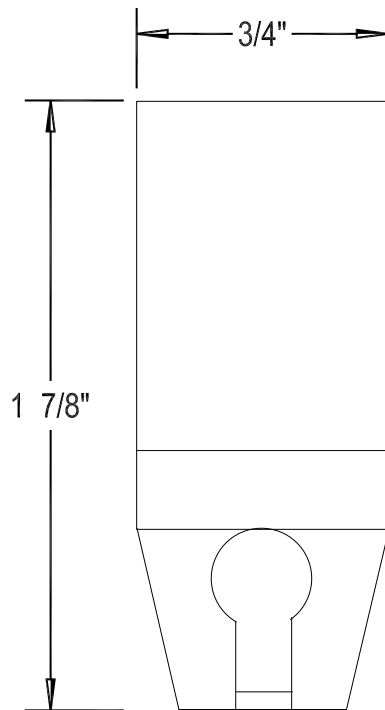


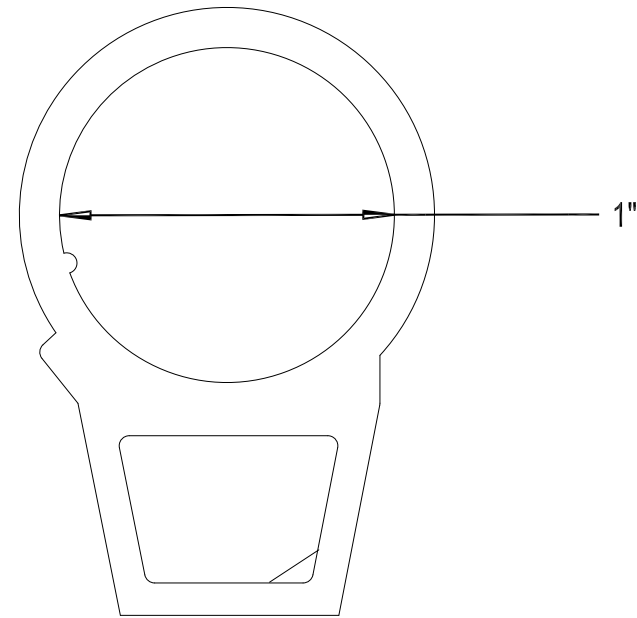
# EMCO SPECIALTY PRODUCTS, INC

408 MIAMI AVE. KANSAS CITY, KS 66105 913-281-4555/FAX 913-281-4554

## "B" RECEPTACLE



FRONT VIEW



SIDE VIEW

NOTES: MATERIAL LEXAN POLYCARBONATE  
WILL ACCOMMODATE BALL TOP HANGERS ONLY