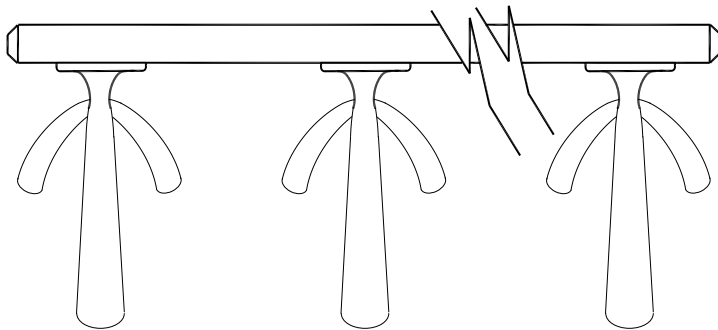
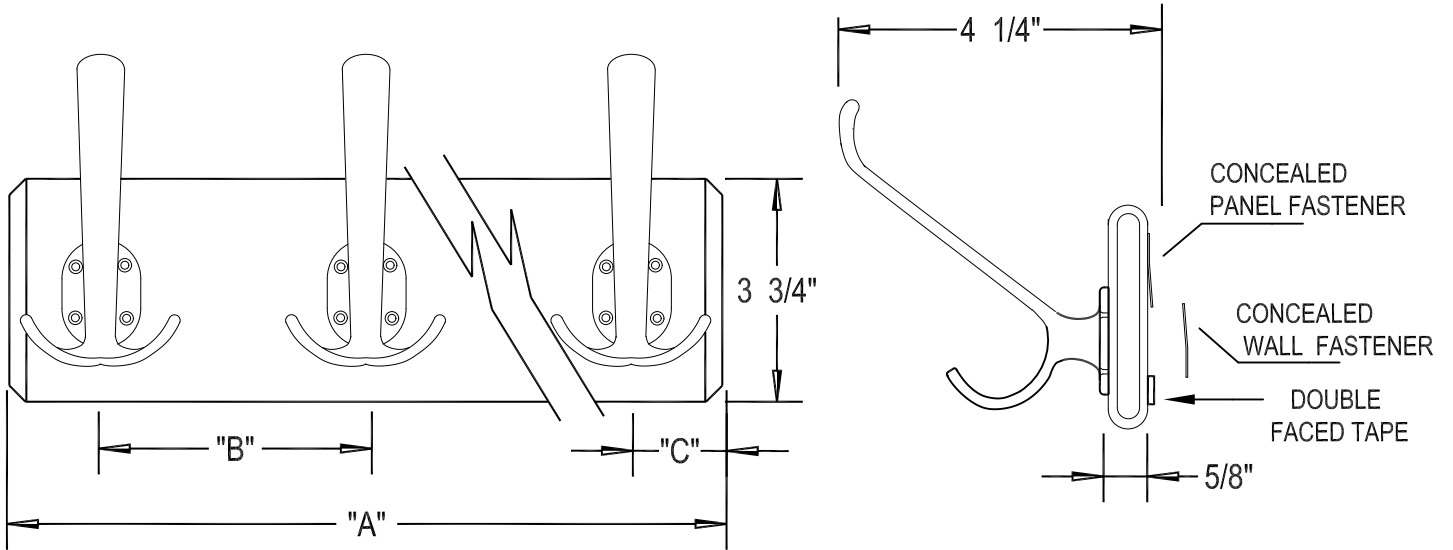


EMCO SPECIALTY PRODUCTS, INC.

408 MIAMI AVE. KANSAS CITY, KS 66105 - 913-281-4555 / FAX. 913-281-4554

A11 HOOK PANEL



SOLID WOOD PANEL FINISHES:

- A. LIGHT OAK
- B. MEDIUM OAK
- C. WALNUT
- D. MAPLE
- E. UNFINISHED OAK

HOOKS : SOLID ALUMINUM
COLOR: SILVER

WALL FASTENERS BY OTHERS

QUAN.	LOCATION	LENGTH "A"	HOOKS		OVERHANG "C"	PANEL FINISH
			NO.	"B"		

PROJECT: _____

LOCATION: _____

DISTRIBUTOR: _____

DRAWING NO: _____ DATE: _____

SHEET _____ OF _____ REVISIONS: _____