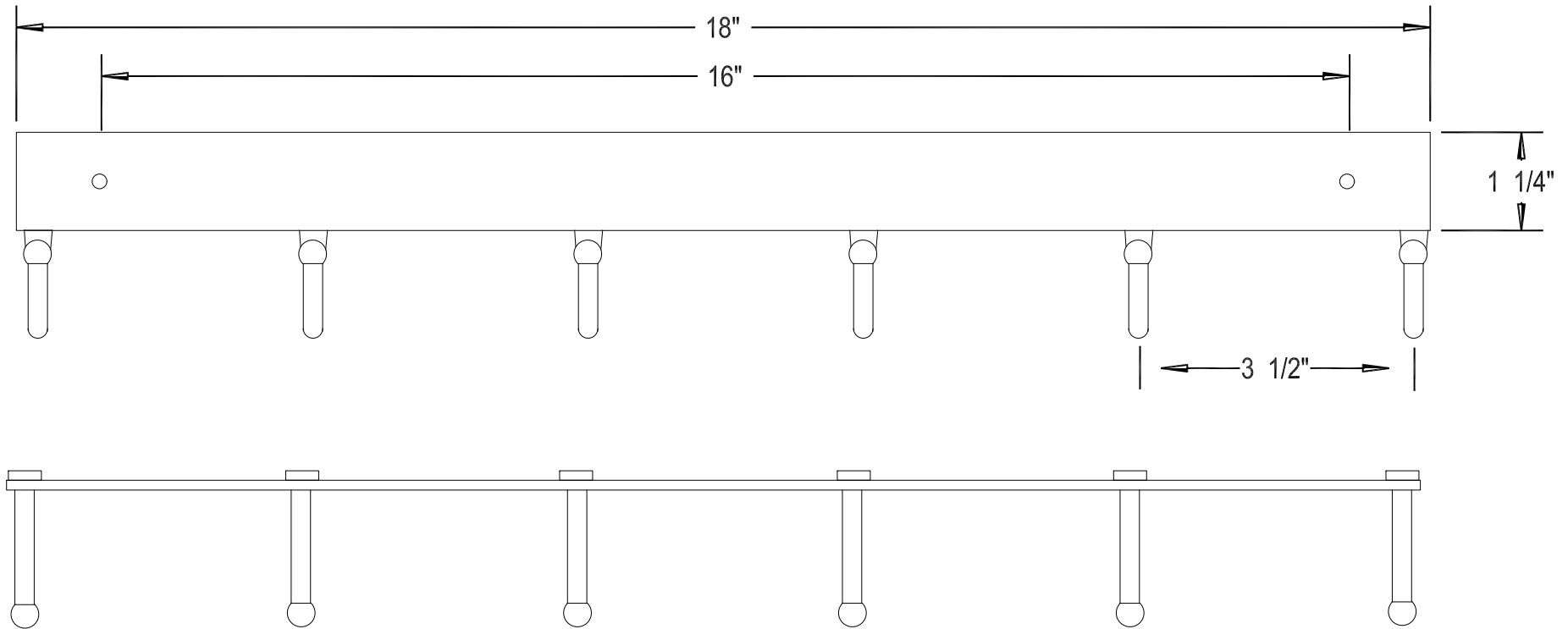


EMCO SPECIALTY PRODUCTS, INC

408 MIAMI AVE. KANSAS CITY, KS 66105 913-281-4555/FAX 913-281-4554

13U6



NOTES:

1. BRUSHED STEEL BACK PLATE
2. COLORS: NICKEL PLATED

MOUNTING HOLES ON THIS UNIT ARE 16" ON CENTER

