



LENOXBENCH Lenox Locker Bench

- Tough, attractive, solid plastic never needs painting; resists dents and scratches
- Impervious to moisture — lockers will not rust or delaminate
- Made from 30% pre-consumer recycled HDPE plastic
- Durable, vandal resistant all-welded construction
- Wide range of lengths and colors
- ADA compliant handle operation
- 20-year warranty against rust, delamination or breakage under normal use*
- Locker ships fully assembled
- US Patent Numbers 6,685,285 – 6,792,661 – 6,793,299 – 7,029,078 – 7,223,317 – 7,278,695 – 7,510,249 – 7,699,412 – 7,789,471 – 8,113,602
- Other Patents Pending

Construction - Standard Features

Doors and Frames

Constructed of ½" thick High Density Polyethylene (HDPE) with homogeneous color and a matte finish texture. Dirt or graffiti are easily removed with standard industrial cleaners. Frames are welded to locker box to provide a secure, rigid assembly. Doors have ventilation slots.

Box

Sides, dividers and box shall be cut from a sheet of ¾" HDPE with homogeneous color and a matte finish texture and shall be welded to box to form a complete unit formed without metal fasteners or dovetail joints.

Bench Top

Constructed of 1" thick HDPE with homogeneous color and matte finish texture and welded to the box.

Latch Bar

Full-length latch bar is constructed of ½" thick 100% pre-consumer recycled black High Density Polyethylene (HDPE) with a smooth finish. Runs entire length of door, providing a continuous security latching system. Latch lifts up to open and returns to closed position after door is closed. Latch bar is secured to locker door with stainless steel security torx-head shoulder screws.

Hinge

Heavy-duty, full-length piano hinge is constructed of 18 gauge, type 304 stainless steel. Hinge wraps around the edges of the door and the frame and is secured with stainless steel security torx-head screw. Hinge is powder coated to match locker color† and is field replaceable.

Handle

Constructed of injection molded plastic. Ergonomically designed handle is ADA compliant — operates with less than 5 lbs. of force. Handle is secured through latch bar to door with stainless steel security torx-head screws.

Width

36" to 72" in 1 foot increments.

Depth

12" depth.

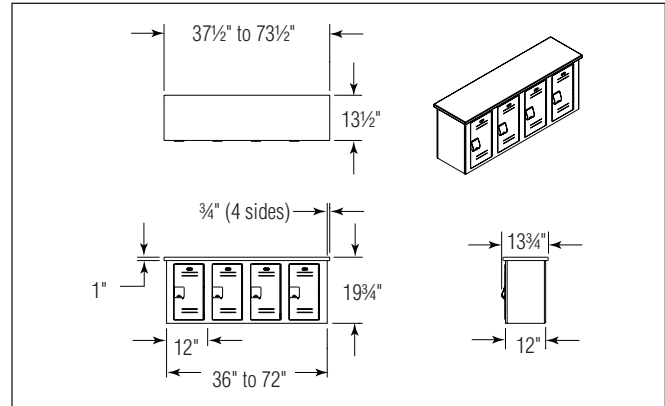
Height

20" height.

Hasp

Constructed of 12 gauge stainless steel. Accepts standard padlocks with ½" diameter (nominal). (Long shackle padlocks should not be used.) Secured to door behind latch bar with stainless steel screws.

Lockers are non-cancelable and non-returnable.



Construction - Optional Features

Number Plates

Constructed of white acrylic with black film coating. Laser etched with number specified. Number plates are secured with grooved rivets into a recessed pocket cut into the door. Plates must be fastened to lockers on the job by installer.

* Normal use further defined as lockers installed in a climate-controlled environment, away from direct sunlight.

Model	Description
<input type="checkbox"/> LENOXBENCH	Bench Lockers

Required Selections (Must select one from each category)

Width (select one):

- 36-WIDTH 36" Wide Bench
- 48-WIDTH 48" Wide Bench
- 60-WIDTH 60" Wide Bench
- 72-WIDTH 72" Wide Bench

Depth (select one):

- 12-DEPTH 12" Deep Bench

Height (select one):

- 20-HGT 20" High Bench

Locker Color (select one):

- BEIGE
- BURGUNDY
- BUTTERMILK
- CHARCOAL-GRAY
- DEEP-BLUE
- DESERT-STONE
- DOVE-STONE†
- GRAY
- MOSS
- STARRY-NIGHT†
- TOFFEE
- RECYCLED-BLACK 100% Pre-Consumer Recycled Black

Optional Selection

Locker Number Plates:

- NUMBERS Number Plates Required
- NO-NUMBERS Number Plates Not Required

† Dove Stone locker will have white hinge and handle. Starry Night locker will have black hinge and handle.

© 2017 Bradley

P.O. Box 309, Menomonee Falls, WI 53052-0309
800 BRADLEY (800 272 3539) +1 262 251 6000
bradleycorp.com