



LENOXCUBBY Lenox Cubby Locker

- Tough, attractive, solid plastic never needs painting, resists dents and scratches
- Impervious to moisture — cubby will not rust or delaminate
- Made from 30% pre-consumer recycled HDPE plastic
- Durable, vandal resistant all-welded construction
- Wide range of sizes, tiers, colors and options
- 20-year warranty against rust, delamination or breakage under normal use*
- Lockers ship assembled; optional top, end panel and base assembled at the job site
- US Patent Numbers 6,793,299 – 7,223,317
- Other Patents Pending

Construction - Standard Features

Sizes Available:

A=Wide	B=Deep	C=Opening Width	D=Tall
12"	12"	8-1/4"	24***
15"	15"	11-1/4"	36***
18"	18"	14-1/4"	48***
	21"		60"
	24"		72"

*** Nominal

Tiers	Actual Locker Height				
	24 ¹¹ / ₁₆ "	36 ¹ / ₂ "	48 ¹ / ₃₂ "	60"	72"
2	X	X	X	X	X
3		X	X	X	X
4			X	X	X
5				X	X
6					X

Frames

Constructed of 1/2" thick High Density Polyethylene (HDPE) with homogeneous color and a matte finish texture. Dirt or graffiti are easily removed with standard industrial cleaners. Frames are welded to cubby box to provide a secure, rigid assembly. Frame width is 1 1/8" on each side. Frame divider height is 1".

Sides, Tops, Bottoms and Dividers

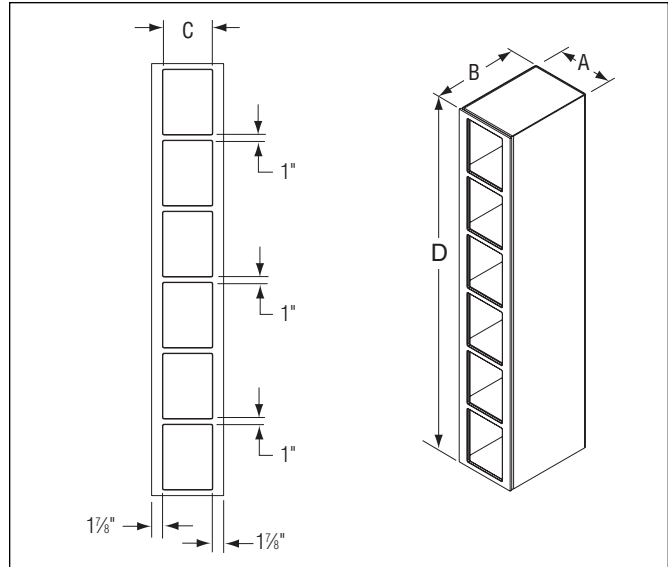
Constructed of 3/8" thick white HDPE with a smooth finish. Sides and back of box are formed from a single sheet of HDPE with fused corners. Tops, bottoms and dividers are welded to box to form a complete unit without metal fasteners or dovetail joints.

Construction - Optional Features

Slope Top – Model LENOXSLOPETOP

Constructed of a 1" thick HDPE backplate (color may vary) and a 1/2" thick colored HDPE slope top panel. Provides a finished look and prevents accumulation of dust and storage of items on top of cubby lockers. Back plate secures to wall first, then panel is secured through the cubby locker top from the inside — no exposed fasteners. Standard slope is 10°. Available in single cubby locker size or in 24", 30", 36", 45" and 72" lengths. All necessary hardware included.

* Normal use further defined as lockers installed in a climate-controlled environment, away from direct sunlight.



Flat Top – Model LENOXFLATTOP

Constructed of 3/8" or 1/2" thick HDPE with homogeneous color and a matte finish texture. Provides a finished look on top of cubbies. Available in single cubby size or in 24", 30", 36", 45" and 72" lengths. Hardware not included.

Base – Model LENOXBASE

Constructed of 1" thick HDPE with homogeneous color and a matte finish texture. Base can be between 3" and 8" tall and set back 3" from cubby locker front to provide toe clearance. Notched end caps provide ease of installation. Installation hardware, including screws, anchors, L-brackets and mending plates are included.

End Panels – Model LENOXENDPANEL

Constructed of 3/8" thick HDPE with homogeneous color and a matte finish texture. End panels cover white cubby sides on exposed ends and are available in flat or slope top styles and in single or double (back-to-back) configurations. When properly installed, the top edge of the end panel is exposed, sitting flush with the finished locker top. All necessary hardware included.

Fillers - Model LENOXFILLER

Constructed of 1/2" thick HDPE secured to 3/8" thick HDPE angle bracket. Filler is attached through the inside of an end or corner cubby to fill gaps between cubbies and a wall or another cubby in a corner. Available in colors to match cubbies 24", 36", 48", 60" or 72" tall, 6", 12", 15" and 18" wide. All necessary hardware included.

Coat Hook

Double hook constructed of black polycarbonate. Furnished in 60" and 72" two-tier cubbies only. Hook hangs under cubby tops. Secured to tops with stainless steel screws.

Wall Hook

Constructed of black powder-coated cast zinc. 1-3 hooks can be secured to each tier with this option. Please specify location.

Wood bases are not recommended.



LENOXCUBBY Lenox Cubby Locker

Please see Optional Selections Tech Data for additional ordering information.

Model	Description
<input type="checkbox"/> LENOXCUBBY	Solid Plastic Cubby Locker

Required Selections (Must select one from each category)

Locker Width (select one):

<input type="checkbox"/> 12-WIDTH	12" Wide Cubby
<input type="checkbox"/> 15-WIDTH	15" Wide Cubby
<input type="checkbox"/> 18-WIDTH	18" Wide Cubby

Locker Depth (select one):

<input type="checkbox"/> 12-DEPTH	12" Deep Cubby
<input type="checkbox"/> 15-DEPTH	15" Deep Cubby
<input type="checkbox"/> 18-DEPTH	18" Deep Cubby
<input type="checkbox"/> 21-DEPTH	21" Deep Cubby
<input type="checkbox"/> 24-DEPTH	24" Deep Cubby

Locker Height (select one):

<input type="checkbox"/> 24-HGT	24" High Cubby (Nom. Height)
<input type="checkbox"/> 36-HGT	36" High Cubby (Nom. Height)
<input type="checkbox"/> 48-HGT	48" High Cubby (Nom. Height)
<input type="checkbox"/> 60-HGT	60" High Cubby
<input type="checkbox"/> 72-HGT	72" High Cubby

Locker Tiers (select one):

<input type="checkbox"/> 2TIER	Two-Tier Cubby
<input type="checkbox"/> 3TIER	Three-Tier Cubby
<input type="checkbox"/> 4TIER	Four-Tier Cubby
<input type="checkbox"/> 5TIER	Five-Tier Cubby
<input type="checkbox"/> 6TIER	Six-Tier Cubby

Locker Color (select one):

<input type="checkbox"/> BEIGE	<input type="checkbox"/> MOSS
<input type="checkbox"/> BURGUNDY	<input type="checkbox"/> RED
<input type="checkbox"/> BUTTERMILK	<input type="checkbox"/> STARRY-NIGHT [†]
<input type="checkbox"/> CANYON-GRANITE	<input type="checkbox"/> TOFFEE
<input type="checkbox"/> CHARCOAL-GRAY	<input type="checkbox"/> WHITE
<input type="checkbox"/> DEEP-BLUE	<input type="checkbox"/> PC-CHARCOALGRAY 100% Post-Consumer Recycled Charcoal Gray**
<input type="checkbox"/> DESERT-STONE	<input type="checkbox"/> PC-TOFFEE 100% Post-Consumer Recycled Toffee**
<input type="checkbox"/> DOVE-STONE [†]	<input type="checkbox"/> RECYCLED-BLACK 100% Pre-Consumer Black
<input type="checkbox"/> GRAY	
<input type="checkbox"/> LINEN	

Optional Selections

Locker Wall Hooks

<input type="checkbox"/> NO-HOOKS	No Wall Hooks
<input type="checkbox"/> ONE-HOOK	1 Wall Hook per Tier
<input type="checkbox"/> TWO-HOOKS	2 Wall Hooks per Tier
<input type="checkbox"/> THREE-HOOKS	3 Wall Hooks per Tier

** 100% Post-Consumer HDPE may have some minor flaws and the color may be inconsistent.

Lockers are non-cancelable and non-returnable.