



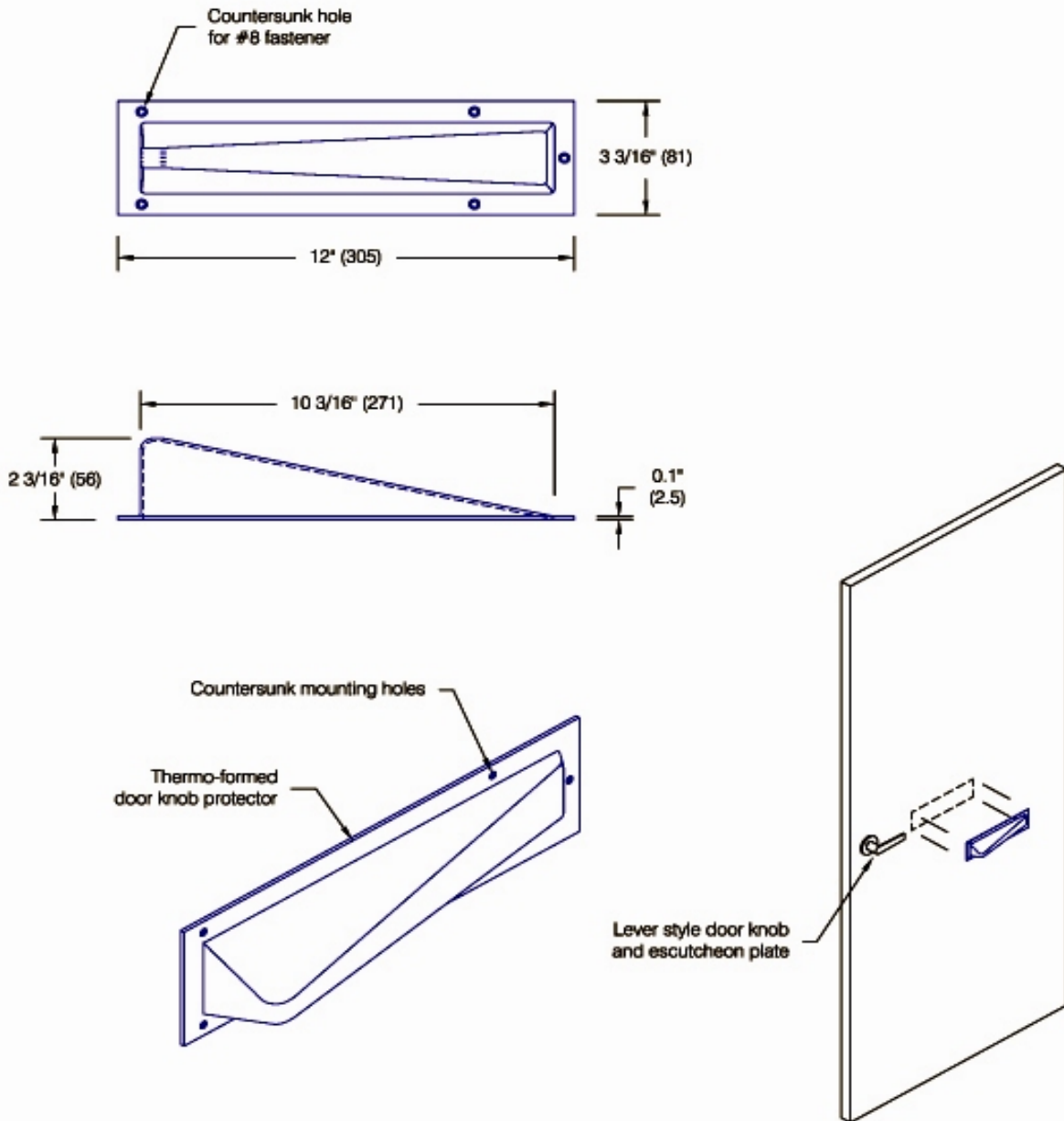
# AMERICAN FLOOR PRODUCTS COMPANY, INC.

AFCO-USA

P.O. BOX 7055 • Gaithersburg, Maryland 20898 -7055 • 301-987-0490 • Fax 301-987-0422  
email: sales@afco-usa.com • Web Site: www.afco-usa.com

CUSTOMER P.O. #

## CAPRICORN® Door Knob Protector (EW-2640)



# CAPRICORN® Door Knob Protector (EW-2640)

Profile	Application	Shock Absorbing	ADA Compliance	Materials	Flammability & smoke developed (ASTM E-84)
Flat	High abuse	10-15 ft.lbs./in. ASTM D-256	Yes	Vinyl	Class A

Testing in accordance with NFPA 255 (ASTM E-84):

Class A                      Flame Spread Index: 5  
                                     Smoke Developed Index: 185

<p><b>Features:</b></p> <ul style="list-style-type: none"> <li>• Class A fire rating</li> <li>• Vacuum formed from heavy gauge rigid vinyl sheet</li> <li>• NFPA-252 (UL10b) approved for use on 90 minute wood and 180 minute steel fire rated door assemblies</li> </ul>	<p><b>Finishes:</b></p> <ul style="list-style-type: none"> <li>• Manufacturer's standard colors</li> <li>• Custom colors available</li> </ul> <p><b>Mounting Options:</b></p> <ul style="list-style-type: none"> <li>• Drilled:                                                  Countersunk holes for #8 x 3/4" (19 mm) oval head sheet metal screw</li> </ul>
--	---

Meteorite designs conform to OSHA, ANSI Life Safety, NFPA, BOCA, UBC, BOMA, ICBO, SBCCI, American Disabilities Act Accessibility Guidelines and all National Building /Code requirements.

<b>JOB NAME:</b>	<b>ITEMS</b>	<b>QUANTITY</b>
<b>JOB NUMBER:</b>	<b>Size:</b>	
<b>CONTRACTOR:</b>	<b>Color:</b>	
<b>ARCHITECT:</b>	<b>Drilled:</b>	
<b>DEALER NAME:</b>		
<b>APPROVED BY:</b>	<b>Date:</b>	