



# AMERICAN FLOOR PRODUCTS COMPANY, INC.

**AFCO-USA**

P.O. BOX 7055 • Gaithersburg, Maryland 20898 -7055 • 301-987-0490 • Fax 301-987-0422

email: sales@afco-usa.com • Web Site: www.afco-usa.com

## INSTALLATION INSTRUCTIONS

### Impact Protection Systems

#### DOOR FRAME GUARD:

#### POTOMAC® (CG-2127)

*Top/Bottom Cap, Cap Filler Insert.*

##### Step 1

Prior to installation, remove the vinyl cover, place one side of the retainer on the door stop to determine location of rubber bumper. Allow space at bottom for bottom cap [approximately 3/8" (9.53 mm)].

##### Step 2

Remove protective paper from one side of the rubber bumper and press onto the retainer.

##### Step 3

Drill and fasten the retainer / bumper to the door frame resting one leg on the door stop.

##### Step 4

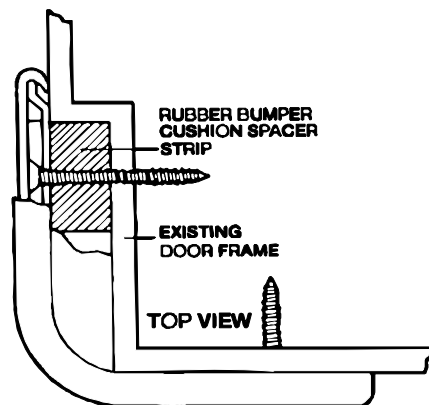
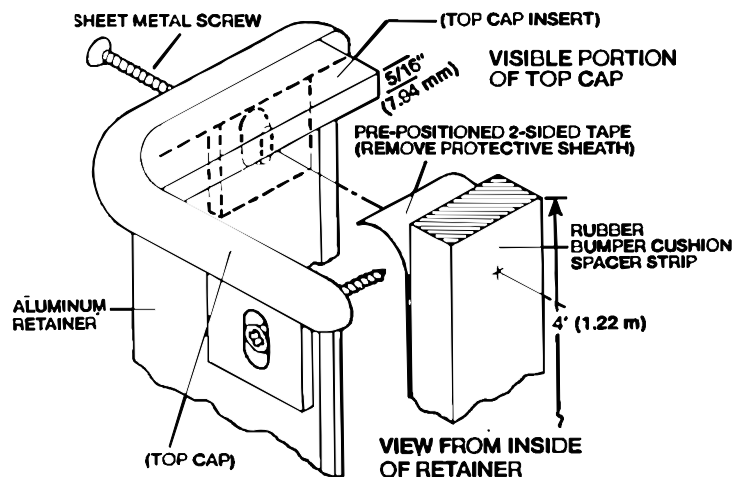
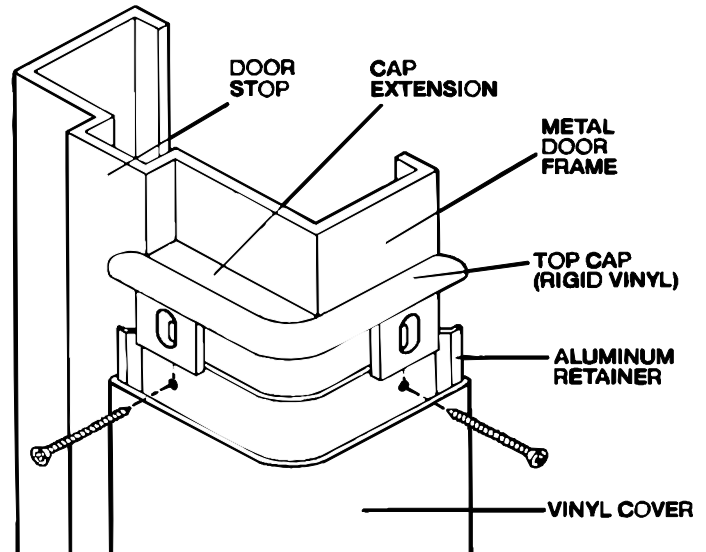
Position the cap on the retainer and measure the opening / space between the door stop and the corner of the cap and cut the top cap filler insert (top and bottom).

##### Step 5

Insert the top cap filler insert into the slot of the top cap and mount the assembly by drilling and installing sheet metal screws through the cap, through the retainer and bumper, into the door frame. Repeat for bottom cap installation.

##### Step 6

Snap on the vinyl cover.



*Specifications subject to change without notice.*